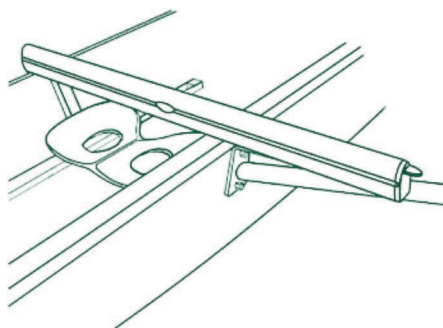




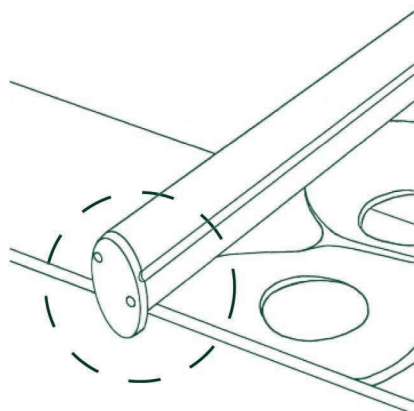
www.active-tools.com

Self-Centering Span Gauge User Guide

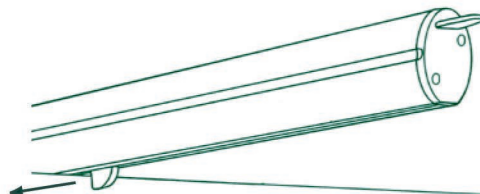
- ① Lay the Self-Centering Span Gauge across the boat roughly in line with the oarlock/swivel to be measured.



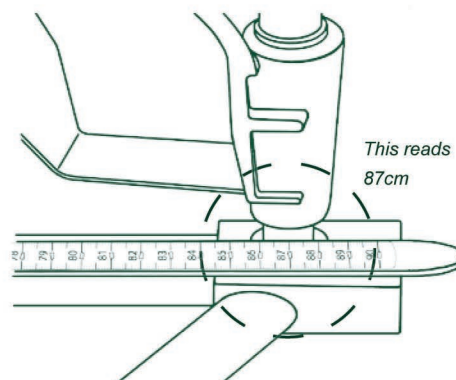
- ② Gently pull the tool towards you so that the fixed end stop is in contact with the far side of the boat.



- ③ Slide the moving stop up against the near side of the boat and hold it there with one hand.



- ④ Pull the measuring slider out from the end of the instrument until it comes to a stop and then read the position of the pin off the scale.



Notes

In general the gauge works best where a tape measure would have been used previously. If the oarlocks/swivels are much higher than the gunnels/saxboards, which is generally the case with sculling boats, the tool can't give accurate readings. However if the sculling boat has a wing rigger you can often measure to the centre of the pin underneath the rigger.

Settings

Active Tools do not recommend span settings but the following books cover the subject in some detail:

- *Steve Redgrave's Complete Book of Rowing*
- *Nuts & Bolts Guide to Rigging*

Warning

If exposed to salt water the gauge must be rinsed off.